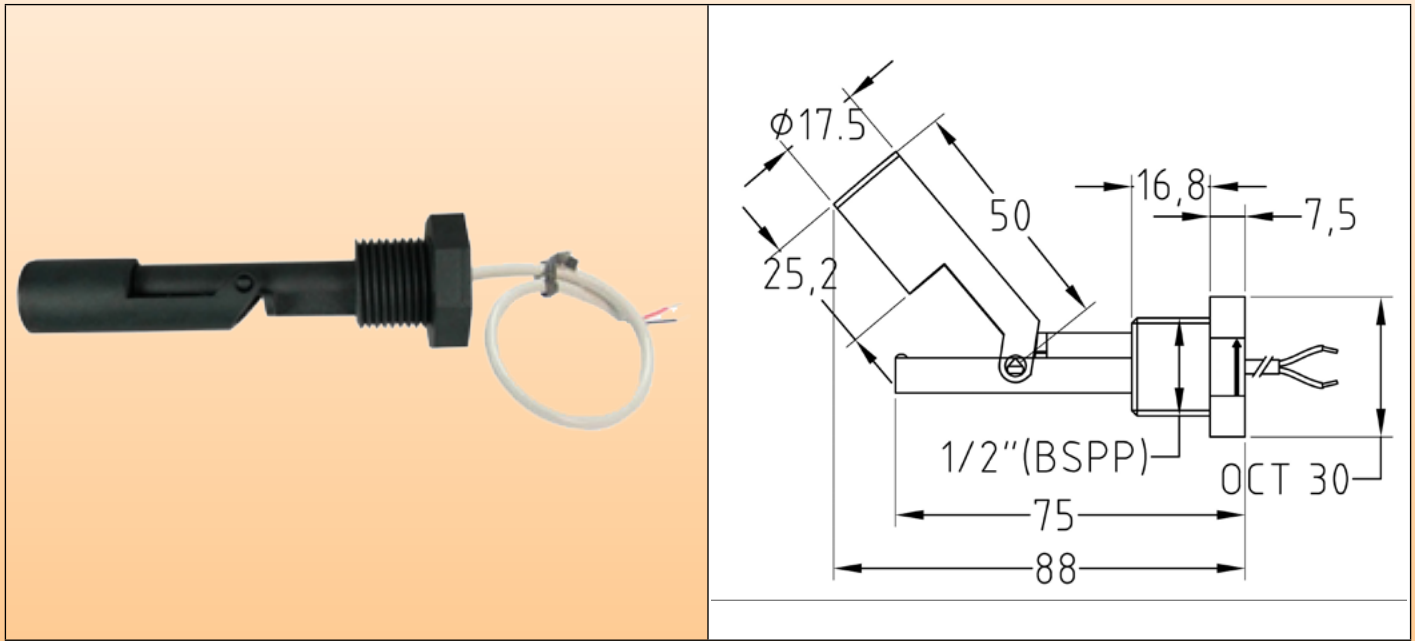


# Horizontal mounting, reed switch contact, PBT stem, hollow PBT float, Cable output, ½"BSPP thread



Because of permanent improvement of our products, drawings, descriptions, features used on these data sheets are for guidance only and can be modified without prior advice

Float material	Mounting	Contact resistance	Ambient temperature	Maximum pressure	Type
Hollow PBT	Horizontal	150 mOhms maxi	-20+80°C	1bar (15PSI)	<b>DT3</b>



**Use:** low voltage circuits

**Main applications:** steam generators, coffee machines, vending machines, air conditioning pumps, dehumidifiers, tanks. The side mounting allows to adjust the level on big size tanks.

**Stem material:** PBT

**Float material:** hollow PBT

**Mounting:** horizontal on ½"BSPP female fitting (flat NBR gasket supplied).

**Contact configuration:** It opens when the float touch the stem. Two positions are possible:

- *The float is on the top of the stem:* contact is normally open (the float touch the stem when there is no liquid), and will close when the level rises and the float goes up.
- *The float is pending downside under the stem:* contact is normally closed (the float does not touch the stem) and will open when the level rises and the float goes up and touch the stem.

**Electrical rating:**

Low voltage type: maximum power 10 W (VA), max 0.5Amp, max voltage 110VAC.

230VAC type: max power 40 W (VA), max 1Amp Values for resistive circuit. For inductive or capacitive loads, a contact protection circuit must be used.

**Contact resistance:** 150mOhms maxi ( wires not included)

**Wires:** AWG24 cable, UL style 2464, PVC insulated, length 100, 500, 1000 or 2000 mm.

**Liquid limits:** to be used with liquids chemically compatible with PBT, specific gravity higher than 0.9, dynamic viscosity higher than  $0.5 \times 10^{-4}$  Pa.s and lower than  $10^{-2}$  Pa.s, without magnetic particles.

**Ambient temperature:** -20+80°C.

**Maximum pressure:** 1 bar (15 PSI).

**Options:** other cable length, electrical rating 70W, 1A, 250VAC.

### References:

Electrical Rating	Cable 100 mm	Cable 500 mm	Cable 1000 mm	Cable 2000 mm
10VA (max 110V alt.)	DT30P207618G1050	DT30P207618G5050	DT30P207618GA050	DT30P207618GB050
40VA (max 230V alt.)	DT34P207618G1050	DT34P207618G5050	DT34P207618GA050	DT34P207618GB050